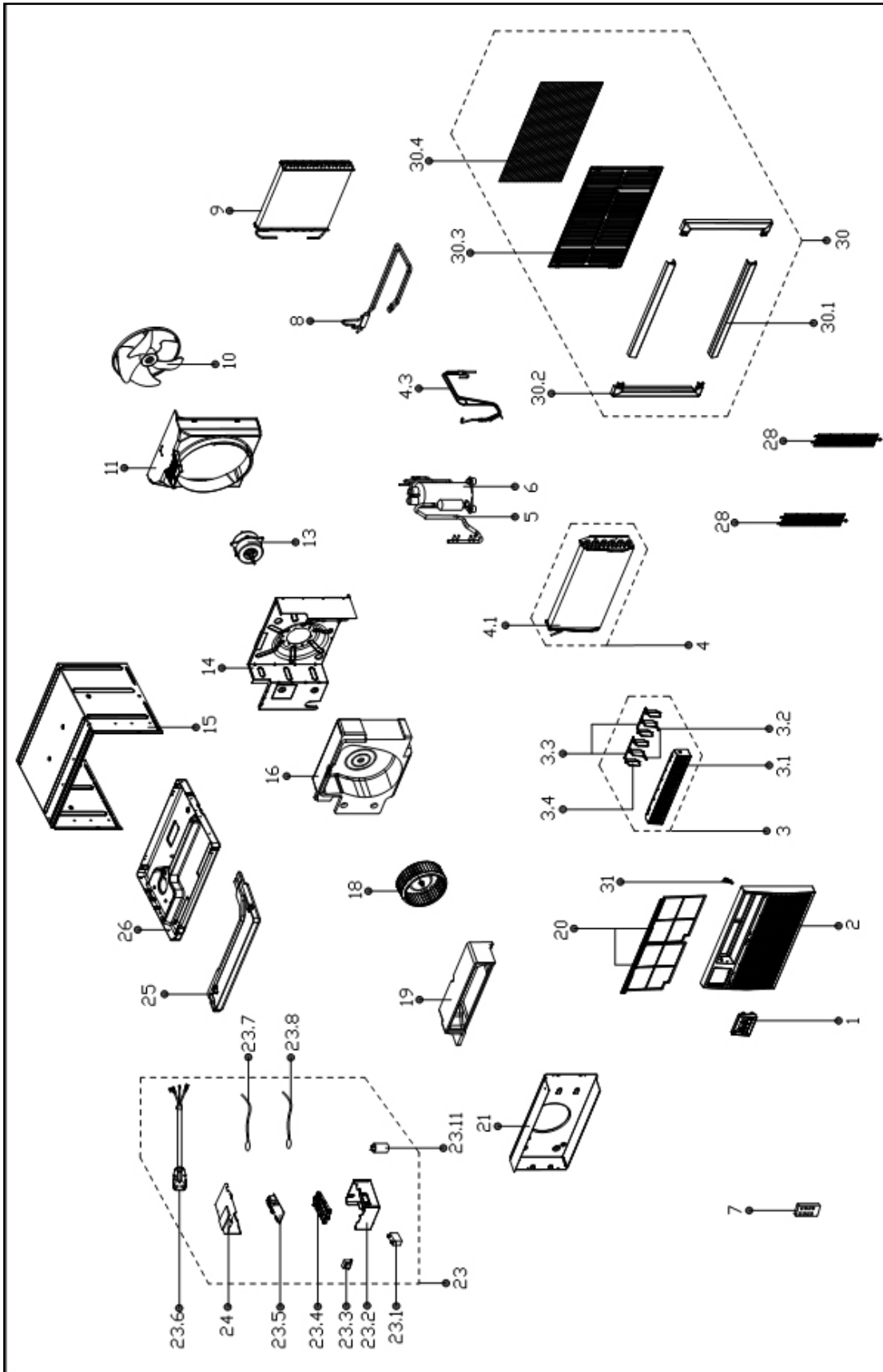


HEAT CONTROLLER

**REPLACEMENT
PARTS LIST**

**Room Air Conditioner with R-410A:
BG-143M**

EXPLODED VIEW



REPLACEMENT PARTS

Location	Part Name	Quantity	Part No.
1	Structure Subassembly of Display Box	1.0	17220300A00418
2	Panel	1.0	12120300A00716
3	Air Out Frame Assembly	1.0	12120300A00632
3.1	Air Out Frame	1.0	12120300000837
3.2	Louver	2.0	12120300A00575
3.3	Louver Intermediate Rod	2.0	12120300A00685
3.4	Louver	4.0	12120300A00579
4	Evaporator assembly Gas valve assembly	1.0	15820300000083
4.1	Evaporator	1.0	15820300000490
4.3	Capillary Assembly	1.0	15120300001171
5	Parts of compressor exhaust pipe	1.0	15120300001063
6	Fixed speed rotary compressor	1.0	11103010000079
7	Remote controller	1.0	17317000A03529
8	Sub-cooling pipe assembly	1.0	15120300002830
9	Condenser Assembly	1.0	15820300000585
10	Axial fan	1.0	12100105000053
11	Rear barrier Subassembly	1.0	12120300000548
13	Single-phase Asynchronous Motor	1.0	11002012001339
14	Front Boarding assembly	1.0	12220300000568
15	Frame	1.0	12220300000793
16	Rear Air Duct Foam	1.0	12820300000032
18	Centrifugal Fan	1.0	12100103000063
19	Front Air Duct Foam	1.0	12820300000075
20	Filter	1.0	12100204A00046
21	Electrical Heating and Installing Box Subassembly	1.0	12220300001094
23	E-Parts Box Subassembly of Upper Air-out Window Series	1.0	17220300000580
23.1	Fan Motor Capacitor	1.0	17400101000015
23.2	Electrical Control Box	1.0	12220300000467
23.3	Power Transformer	1.0	11203103000249
23.4	Mounting rack of main control panel	1.0	12120300000521
23.5	Main Control Board Subassembly(Sticker)	1.0	17120300001834
23.6	Power Supply Cable Subassembly	1.0	17401202000297
23.7	Temperature Sensor	1.0	11201007000126
23.8	Room Temperature Sensor	1.0	11201007000003
23.11	Compressor Capacitor(Round)	1.0	17400103000055
24	Electrical Control Box Cover-Structure Subassembly	1.0	12220300001092
25	Drain Pan	1.0	12820300000059
26	Chassis Assembly	1.0	12220300000427
28	Rear Protective Net	1.0	12220300001103
28	Rear Protective Net	1.0	12220300001104
30	Installing Accessories	1.0	12020300000028
30.1	Top and Down shutter frame	2.0	12120300001334
30.2	Left and right frame strip	2.0	12120300001353
30.3	Air inlet grille	1.0	12920300000001
30.4	Plastic Rear Guard	1.0	12120300001299
31	Filter guide block	1.0	12120300001302
	Display label	1.0	16020300A02049

Due to ongoing product improvements, specifications and dimensions are subject to change and correction without notice or incurring obligations. Determining the application and suitability for use of any product is the responsibility of the installer. Additionally, the installer is responsible for verifying dimensional data on the actual product prior to beginning any installation preparations.

Incentive and rebate programs have precise requirements as to product performance and certification. All products meet applicable regulations in effect on date of manufacture; however, certifications are not necessarily granted for the life of a product. Therefore, it is the responsibility of the applicant to determine whether a specific model qualifies for these incentive/rebate programs.

HEAT CONTROLLER

1900 Wellworth Ave., Jackson MI 49203 • Ph. 517-787-2100 • www.heatcontroller.com

A  Company